

# Indissima Modular Towel Rail

Towel Rail to be fitted with Modular Bar A8883.



## Sizes Available

30cm - A8818M ..

40cm - A8818N ..

60cm - A8818R ..

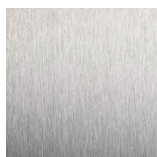
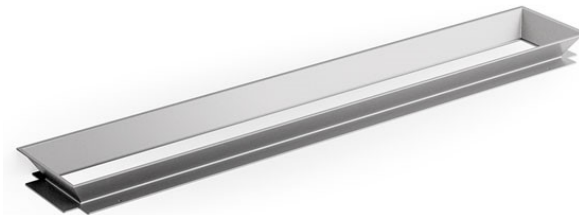
80cm - A8818S ..

## Colours Available

Stainless Steel - NS

Matte Black - NE

Matte White - WM

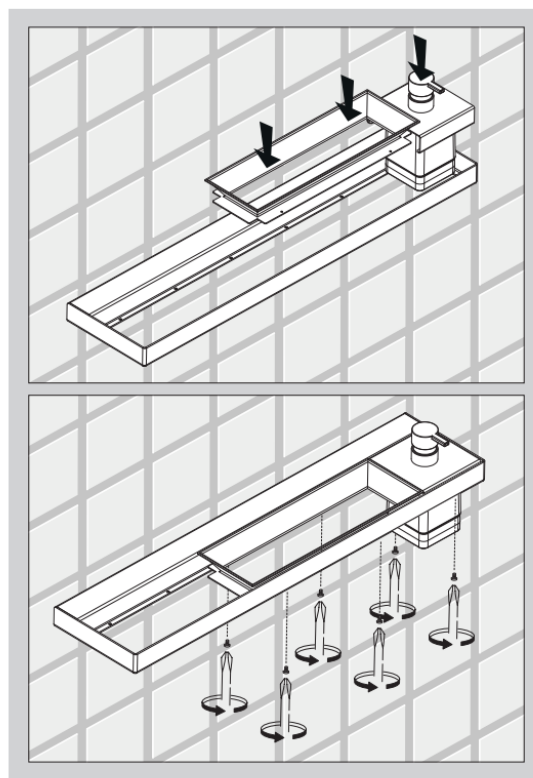


Designed by Matte Thun

Manufactured in Italy

2 Year Replacement Warranty

cod.	L
<b>A8818M</b> ...	300
<b>A8818N</b> ...	400
<b>A8818R</b> ...	600
<b>A8818S</b> ...	800



Proudly imported and distributed by

Gro Agencies Pty Ltd

Unit 2 / 37 Howe St, Osborne Park, WA, 6017

P 08 9446 3288 E [info@groagencies.com.au](mailto:info@groagencies.com.au) W [www.groagencies.com.au](http://www.groagencies.com.au)

